



# AcquisitionQB: The **Navigational** Blueprint

Maximizing the Value of Your Business.

# You have outgrown a basic bookkeeper but do not need a full-time CFO



## **The underserved market:**

You need a builder, not a biller. You need someone who is truly on your side, building a business alongside you.

# Traditional accounting records history, while we architect your financial future

## The Traditional Model: CPAs & Bookkeepers

### Perspective

Backward  
(Recording what happened)

### Focus

Compliance  
(Filing returns, basic math)

### Incentives

Hourly  
(Billing for every email)

### Endgame

The Tax Return

## The **AcquisitionQB** Approach



### Forward

(Predicting and shaping what's coming)



### Value Creation

(Bulletproofing operations)



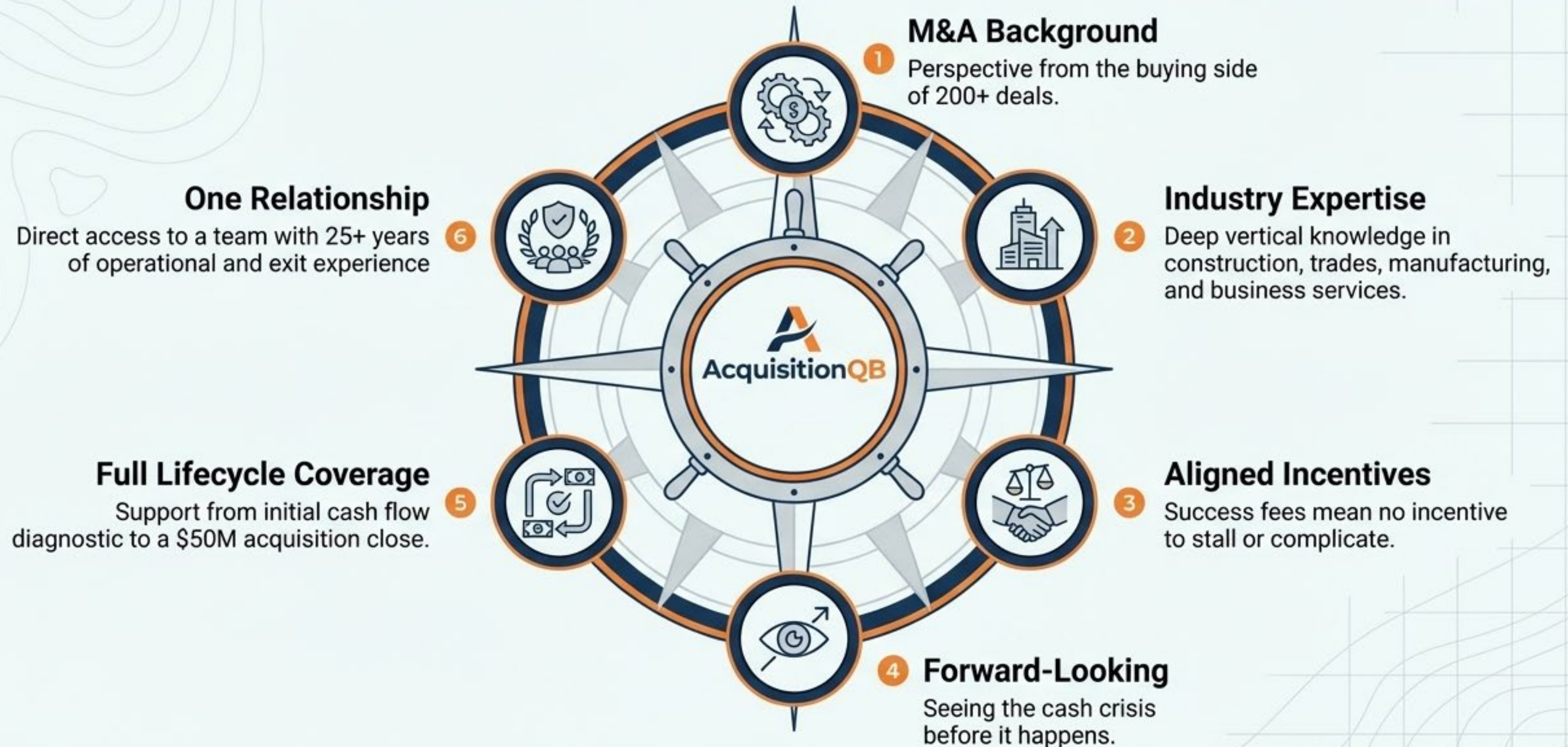
### Aligned Success

(Winning only when you win)

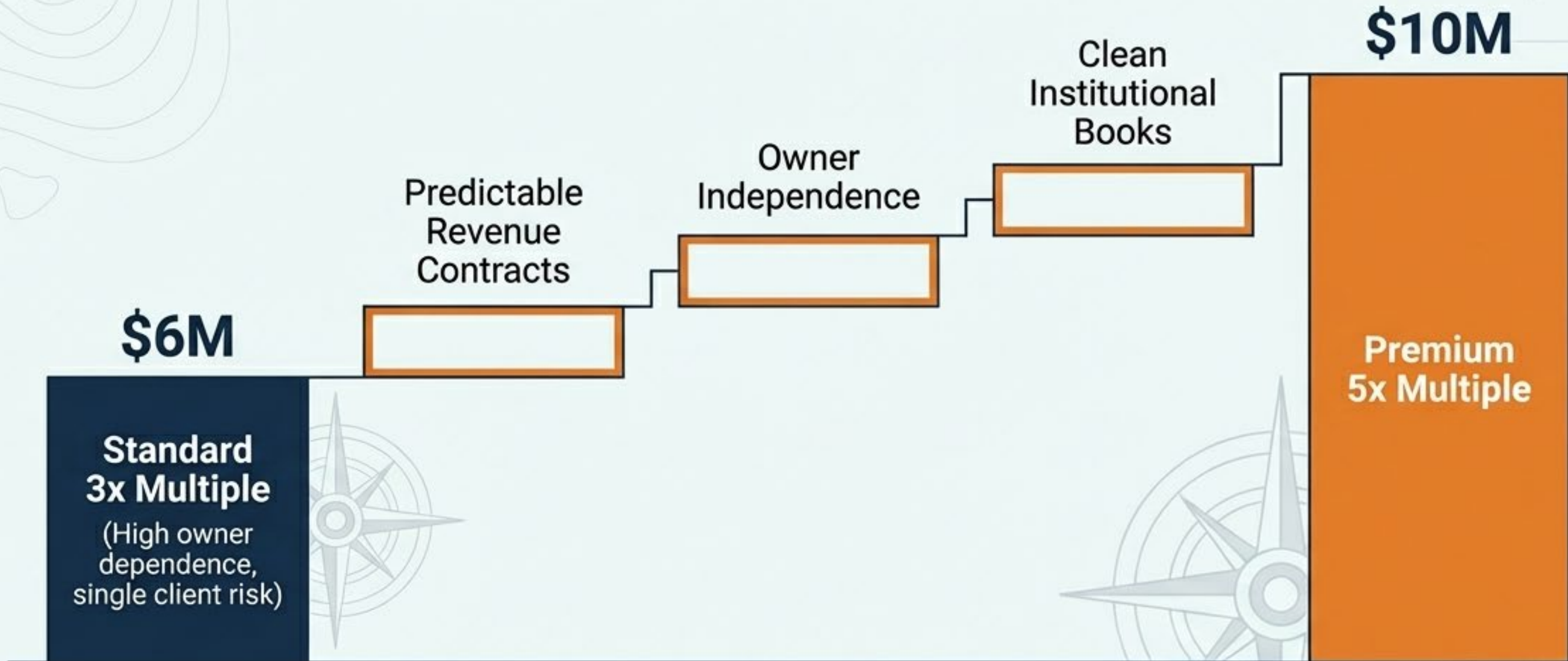


### Maximizing the Exit / Acquisition Price Tag

# A different kind of advisory relationship built entirely on aligned incentives

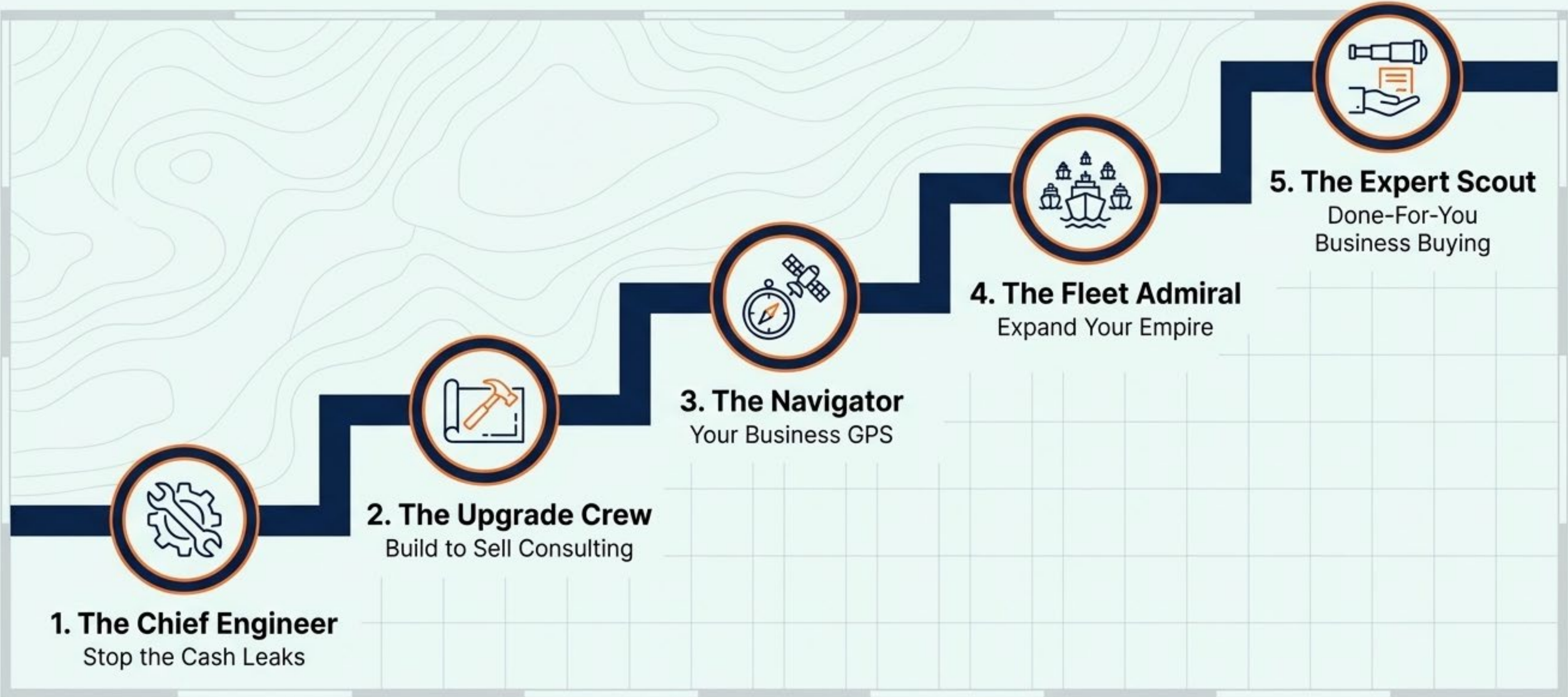


# Strategic operational upgrades directly translate to premium exit valuations



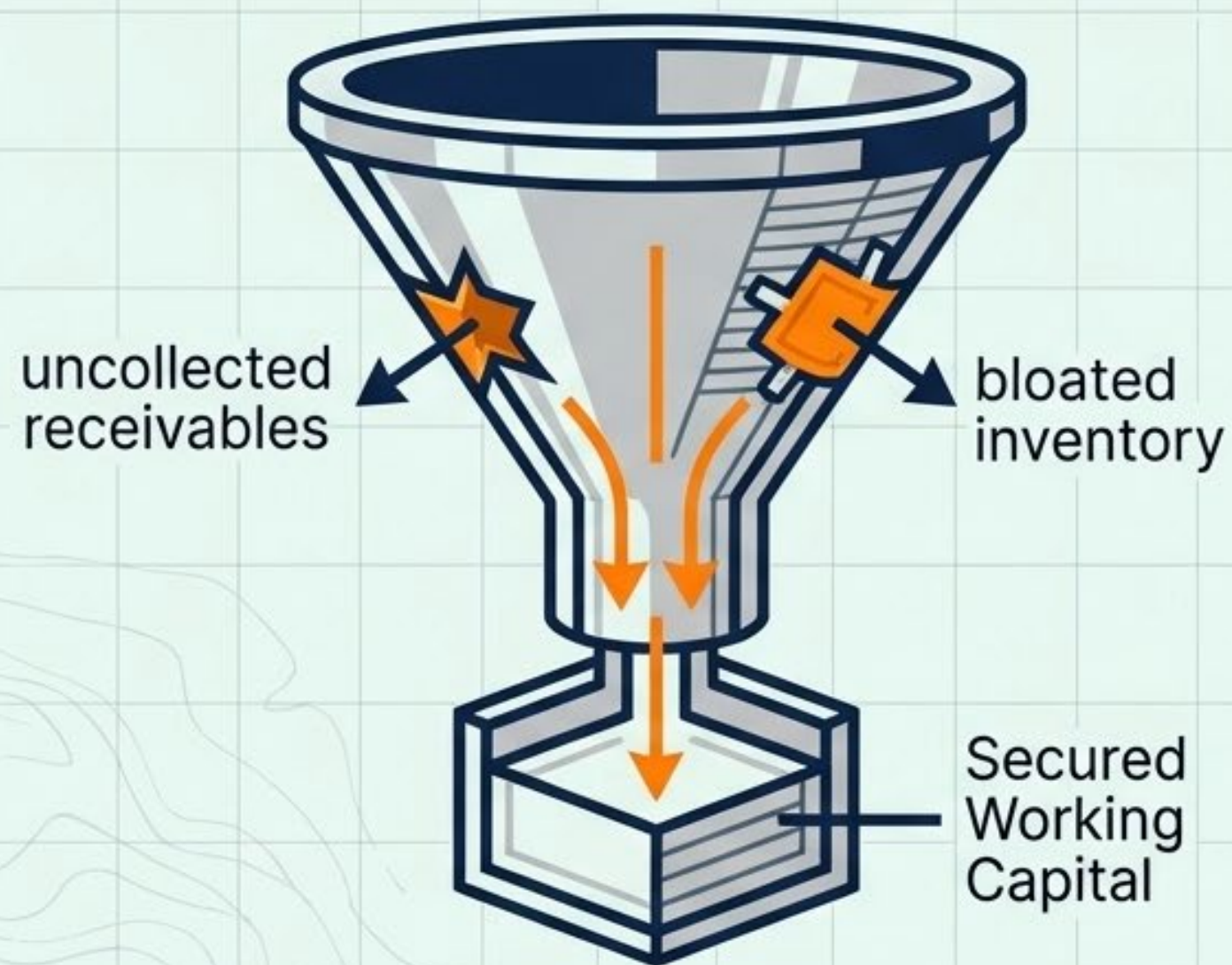
**We do not just optimize your math; we build a low-risk, high-reward money machine that buyers pay a premium to acquire.**

# The Value Creation Pathway transforms a single vessel into a dominant armada



# The Chief Engineer secures your fuel reserves so the business never stalls

“Cash Leak” Schematic



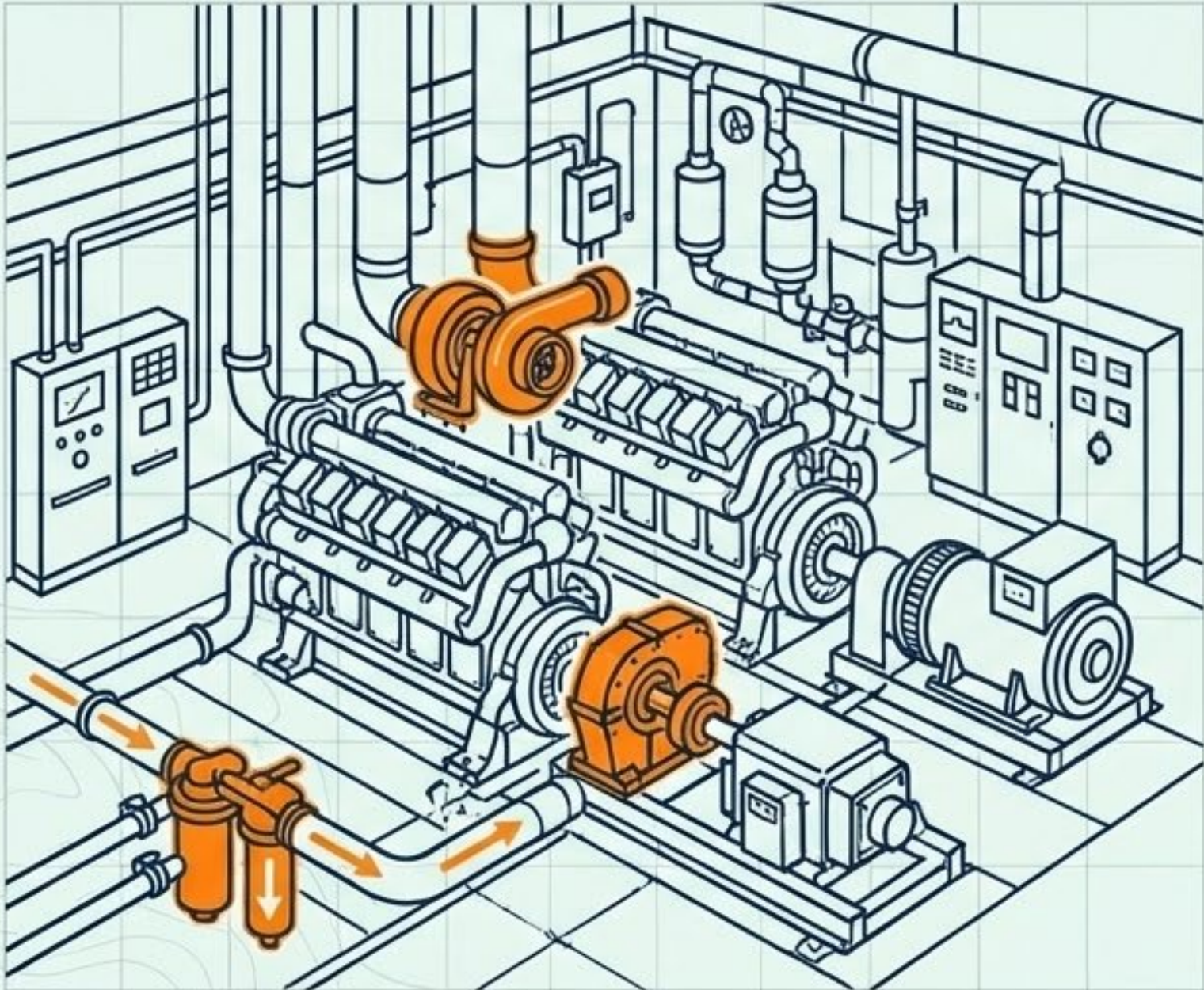
Tier: **ESSENTIAL**

**Focus:** Stop the Cash Leaks. You cannot worry about tomorrow's valuation if you struggle to make payroll today.

## Key Deliverables:

- Immediate Diagnostic
- Basic Bookkeeping
- 13-Week Cash Flow Forecasting
- Working Capital Optimization
- Cash Gap Improvement
- Emergency Cash Control

# The Upgrade Crew polishes the hull to command a premium multiple



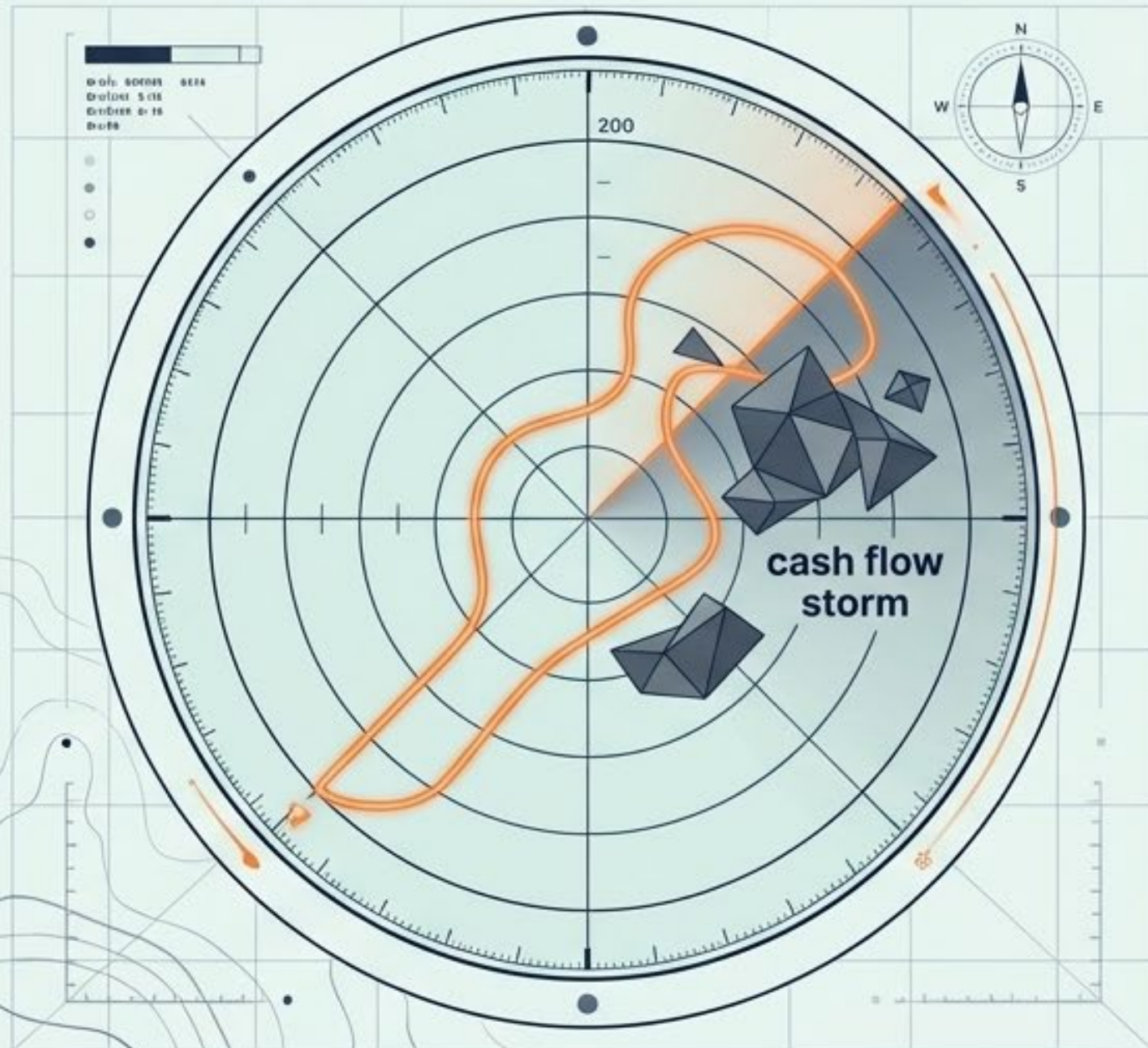
Tier: CORE

**Focus:** Build To Sell Consulting. Shifting from running a business to polishing an asset for the highest possible payout.

## Key Deliverables:

- Starting Price Tag Assessment
- Bulletproofing the Business (removing buyer red flags)
- Strengthening the Secret Sauce (documenting processes)
- Building a Money Machine (partnering with your team to cross the finish line)

# The Navigator plots data-driven course to avoid crises before they happen



Tier: CORE+

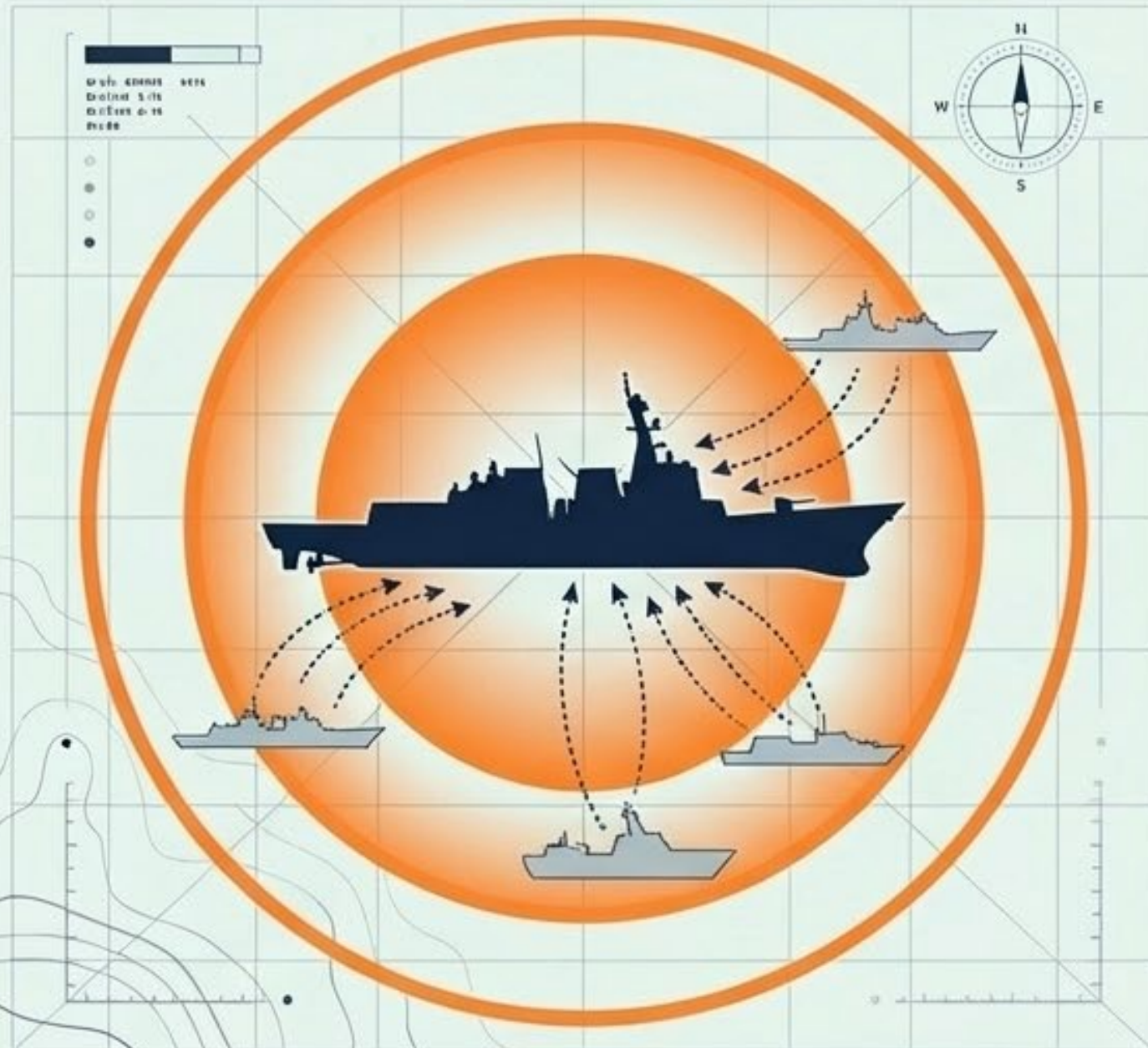
Most Popular

**Focus: Your Business GPS.** Stress-testing big ideas before spending a dime, ensuring your daily spending actually leads to higher returns.

## Key Deliverables:

- Budgeting
- Forecasting (weekly pulse checks)
- Gap Analysis (monthly reality checks)
- What-If Planning

# The Fleet Admiral multiplies your net worth through strategic acquisitions



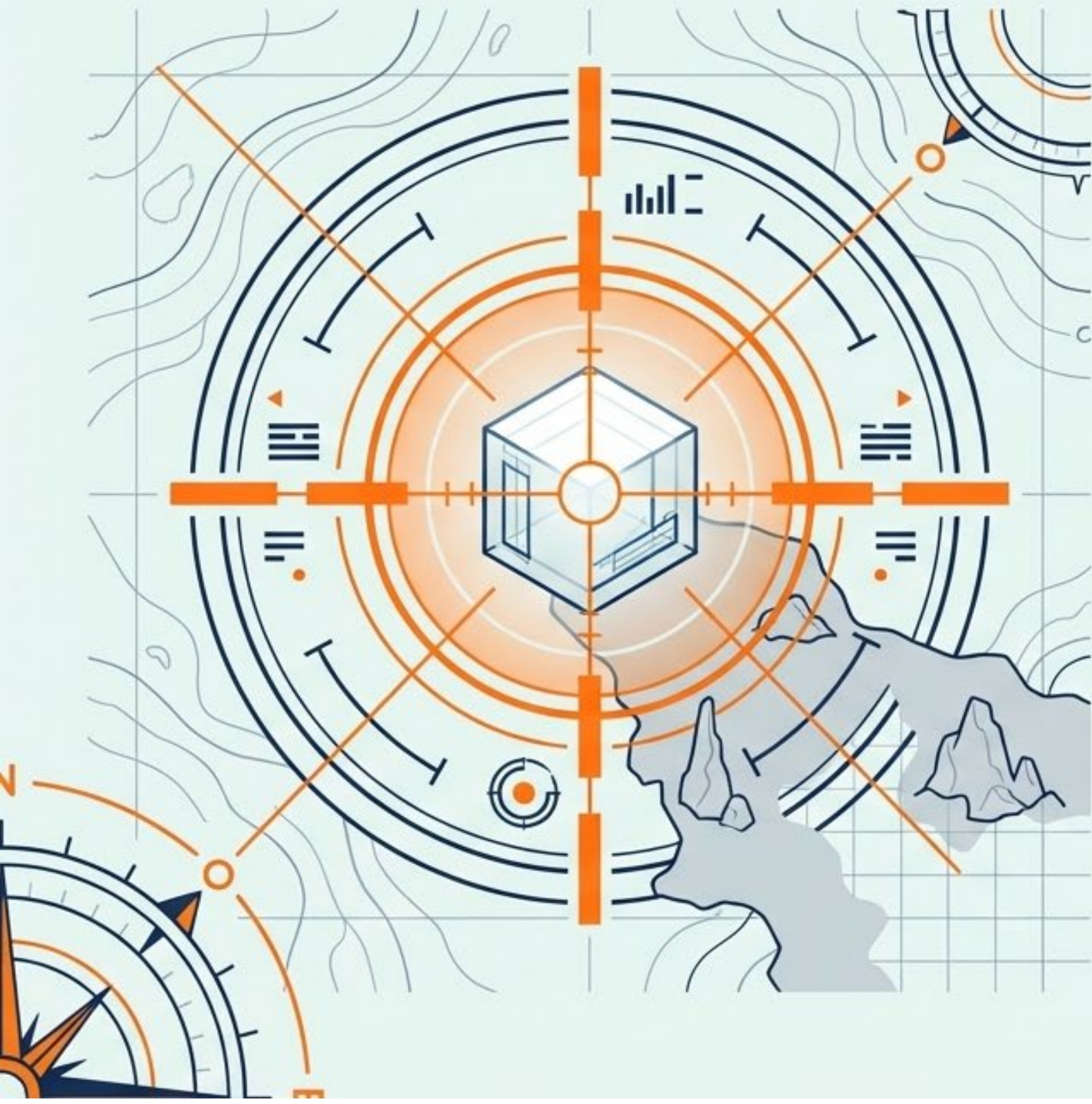
**Tier: PREMIUM**

**Focus: Expand Your Empire.** The fastest way to multiply what your business is worth is not just selling more—it is buying more.

## Key Deliverables:

- Reorganizing Business Structure
- Growing by Buying Competitors
- Partnering with Other Businesses
- Selling Off Distractions

# The Expert Scout cuts through marketing fluff and negotiates the best price



## Tier: PREMIUM-LITE

**Focus:** Done-For-You Business Buying. We operate anonymously so sellers do not spike the price. We find the business, uncover hidden risks, and negotiate fair terms.

**Track Record:** A proprietary 90-day process resulting in 20+ successful closings over the last two years.

### Key Deliverables:

- Finding the right business
- Preventing overpayment
- Thorough tire-kicking
- Negotiating the best deal
- Securing funding

**We row in the same direction from the initial diagnostic to the final closing table**



One relationship. Aligned incentives. 25+ years of operational, financing, and exit experience directly in your corner. We only win when you win.

# Stop looking backward and start plotting your course forward

Schedule a Diagnostic Conversation Today

[acquisitionqb.com](https://acquisitionqb.com)